

Plastic-Encapsulate Diodes

High Speed Switching Diode

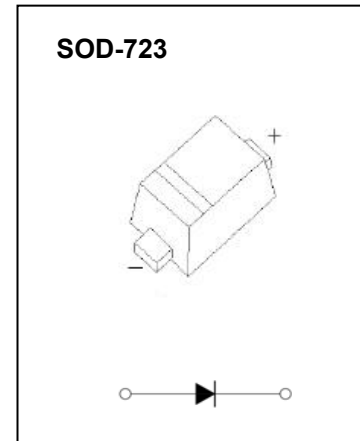
FEATURES

- Small surface mounting type
- High speed
- High reliability with high surge current handling capability

MARKING:A



The marking bar indicates the cathode



Maximum Ratings and Electrical Characteristics, Single Diode @Ta=25°C

Parameter	Symbol	Limit	Unit
Non-Repetitive Peak Reverse Voltage	V_{RM}	90	V
DC Blocking Voltage	V_R	80	V
Forward Continuous Current	I_{FM}	225	mA
Average Rectified Output Current	I_O	100	mA
Non-Repetitive Peak Forward Surge Current @ t=8.3ms	I_{FSM}	2.0	A
Power Dissipation	P_d	100	mW
Thermal Resistance Junction to Ambient	$R_{\theta JA}$	1250	°C/W
Operation Junction and Storage Temperature Range	T_J, T_{STG}	-55~+150	°C

Electrical Ratings @Ta=25°C

Parameter	Symbol	Min	Typ	Max	Unit	Conditions
Forward voltage	V_F			1.2	V	$I_F=100mA$
Reverse current	I_R			0.1	μA	$V_R=80V$
Capacitance between terminals	C_T			3.0	pF	$V_R=0.5V, f=1MHZ$
Reverse recovery time	t_{rr}			4	ns	$V_R=6V, I_F=10mA, R_L=100\Omega$



CHINA BASE
INTERNATIONAL

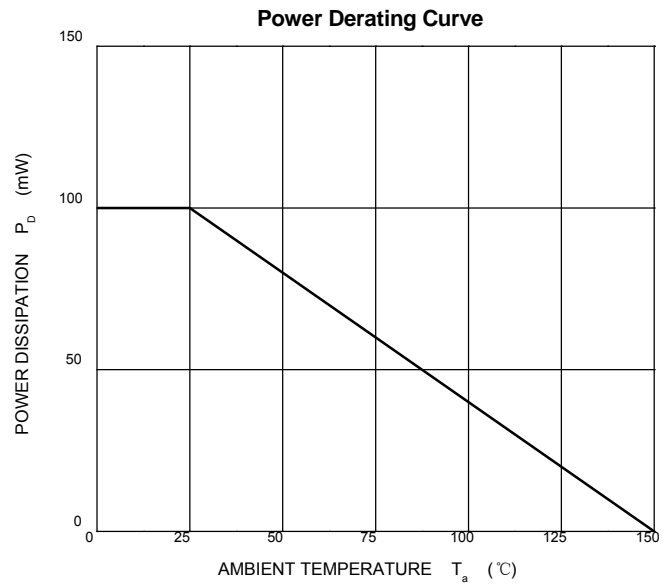
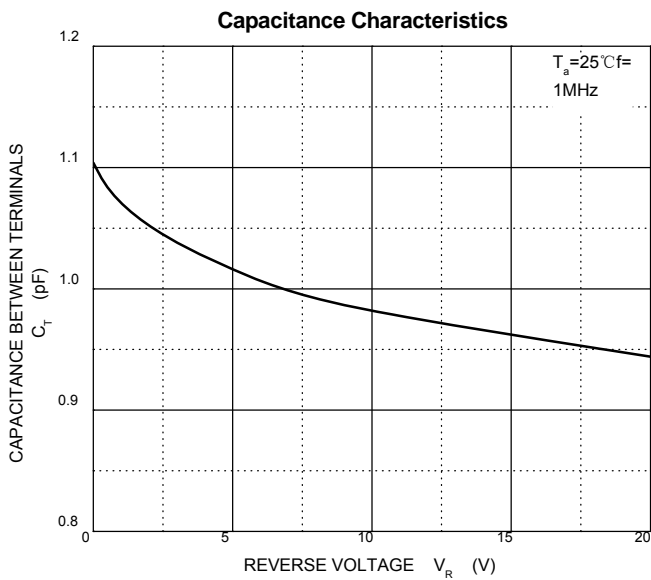
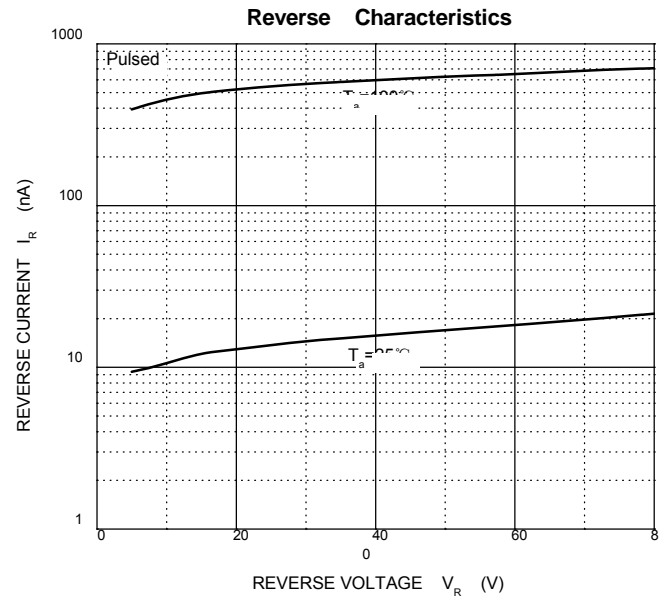
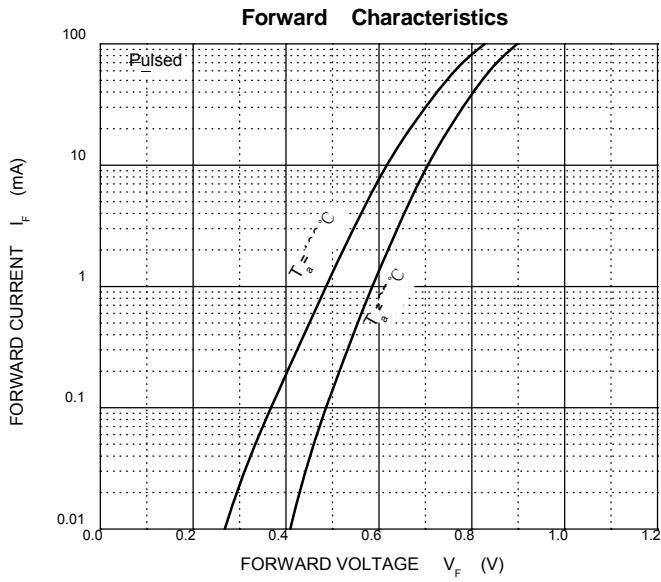
SOD-723

1SS400G



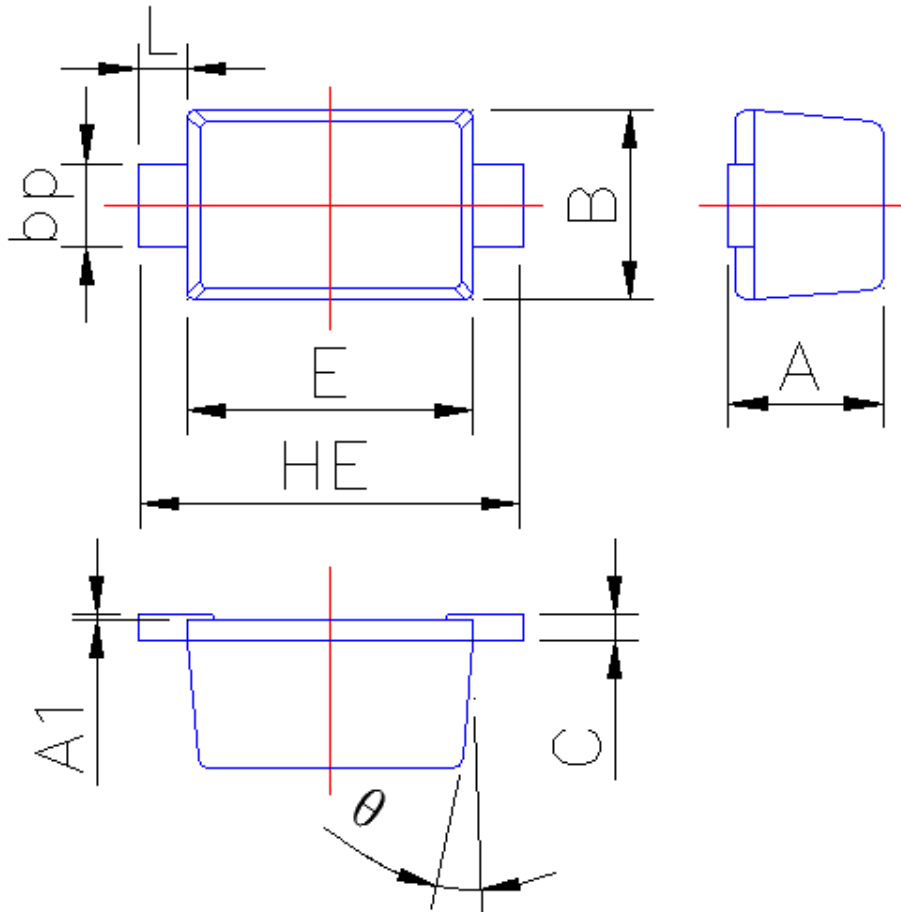
www.china-base.com.hk

Typical Characteristics





SOD-723-Package Outline Dimensions



Symbol	Dimension in Millimeters	
	Min	Max
A	0.515	0.580
A1	0.010	0.070
B	0.550	0.650
bp	0.250	0.350
C	0.08	0.150
E	0.900	1.100
HE	1.30	1.50
L	0.150	0.250
θ	7°	